


V-Cove II Luminous

(available for only P46 9W/m type)

Sleek and slender. At just 9mm height and 15.6mm width, V-Cove II versatile slim linear fixture enables installation in narrow spaces. Fixture length of this series is also customizable, perfect for vanity mirror and other indirect lighting.

V-Cove II comes in P23 (pitch = 23mm) and P46 (pitch = 46mm) allowing the ideal illumination for various application.



P23 = LED Pitch 23mm

V-Cove II P23



P46 = LED Pitch 46mm

V-Cove II P46
Luminous

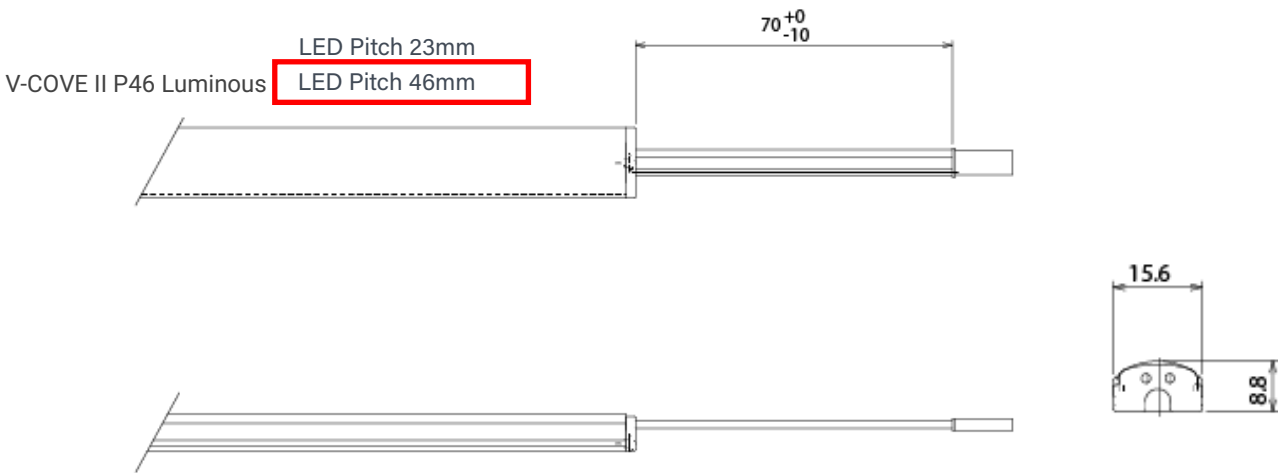
FEATURES

- For general cove lighting and niche indirect lighting,
- Available in CCT 2000K, 2200K, 2500K, 2700K, 3000K, 3500K, 4000K, 5000K, 7800K(Clear White), and RGB / RGBW.
- Excellent efficiency using NICHIA Japan LED with optimized circuit design and tight-controlled chip's Vf properties.
- Centre colour binning that falls on top of black body radiation line within the range of MacAdam ellipse step3.

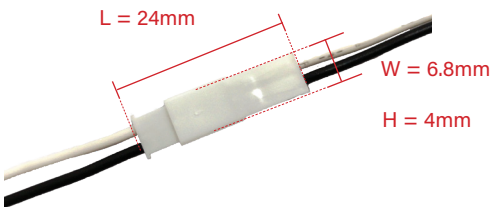
BASIC SPECIFICATION



MECHANICAL DRAWING



Male-Female Connector
 (Standard Spec comes with this connector)



Red/ or White Cable = 24 Vdc Positive (+)
 Black Cable = Negative (-)



Connectors can be concealed (based on 30° metal clip)

MODEL NO

Model No

VCII XXXX – XXX B – PXX - LS

Fixture Type

Fixture Length

Color Temperature

Type of LED used

LED Pitch

Fixture Type

VCII → V-Cove II

Fixture Length

0974 → L974mm, **Standard**

0813 → L813mm, **Standard** (only for P23 = LED Pitch 23mm)

0652 → L652mm, **Standard** (only for P46 = LED Pitch 46mm)

0330 → L330mm, **Standard**

1135 → L1135mm (only for P23 = LED Pitch 23mm), Build-to-order

0491 → L491mm (only for P23 = LED Pitch 23mm), Build-to-order

0168 → L168mm (only for P23 = LED Pitch 23mm), Build-to-order

Color Temperature

78xxx → Clear White (high CRI, for senior citizen / hospital lightings) 7800K

403 → Cool White 4000K

353 → 3500K

303 → Light Warm White 3000K

273 → Standard Warm White 2700K

253 → Dark Warm White 2500K

203 → Amber-Like Warm White 2000K

Other CCT available: 2200K, 4500K, 5000K (Build-to-order basis)

Type of LED used

A → Type A, manufactured by NICHIA Japan (Ra85 typ. For CCT 2500K & 2000K)

B → Type B, manufactured by NICHIA Japan (Ra95 typ. Except for CCT 2500K & 2000K)

LED Pitch

23 → LED Pitch 23mm

46 → LED Pitch 46mm

LS: Luminous Series (for P46)

Example

VCII

0974 – 303

B – P23 - LS

Fixture Type

V-Cove II

Fixture Length

L974mm, Standard

Color Temperature

Light Warm White 3000K

Type of LED used

Type B, manufactured by NICHIA Japan (Ra95 typ.)

LED Pitch

LED Pitch 23mm

LS : Luminous Series

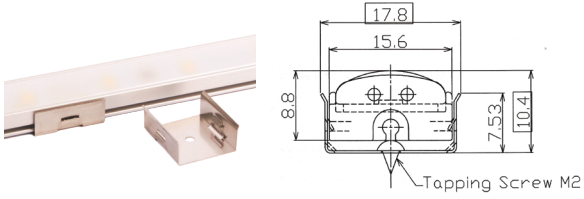
PRODUCT SPECIFICATIONS						
Product Name	V-Cove II P23 13.7W/m (LED 23mm Pitch)			V-Cove II P46 Luminous 9.0W/m (LED 46mm Pitch)		
Model No.	VCII0330-xxxB-P23 (L330mm)	VCII0813-xxxB-P23 (L813mm)	VCII0974-xxxB-P23 (L974mm)	VCII0330-xxxB-P46-LS (L330mm)	VCII0652-xxxB-P46-LS (L652mm)	VCII0974-xxxB-P46-LS (L974mm)
Input Voltage	24Vdc	24Vdc	24Vdc	24Vdc	24Vdc	24Vdc
Power Consumption	4.6 W	11.4 W	13.7 W	3.0 W	6.0 W	9.0 W
Dimension (mm)	330*15.6*8.8(H)	813*15.6*8.8(H)	974*15.6*8.8(H)	330*15.6*8.8(H)	652*15.6*8.8(H)	974*15.6*8.8(H)
Weight	65 grams	156 grams	186 grams	65 grams	129 grams	186 grams
Casing Body	Aluminium Heatsink with UV-resistant Polycarbonate Semi-Frosted Diffuser					
LED Beam Angle	105°	105°	105°	105°	105°	105°
Operating Temperature	-10°C~45°C	-10°C~45°C	-10°C~45°C	-10°C~45°C	-10°C~45°C	-10°C~45°C
Max. Length of Series Connection	5 meter	5 meter	5 meter	7 meter	7 meter	7 meter
Option Parts	Mounting clip bracket 0° (flat) type / 30° fixed angle type					
No of LEDs	14	35	42	7	14	21
Power Supply Unit (Gear-Driver)	24Vdc Constant-Voltage Switching Power Supply (*TDK Lambda brand)					
Dimming Control	*With recommended 0-10V/DMX compatible dimming driver unit					
Lumens (typical @3000K)	430	1060	1310	320	640	1116
Available LED Color						
Clear White 7800K *Build-to-order	●	●	●	●	●	●
Cool White 4000K	●	●	●	●	●	●
3500K *Build-to-order	●	●	●	●	●	●
Light Warm 3000K	●	●	●	●	●	●
Standard Warm 2700K	●	●	●	●	●	●
Dark Warm 2500K	●	●	●	●	●	●
Amber-Like Warm 2000K	●	●	●	●	●	●
RGB(W) Full Color *Build-to-order	NA	NA	NA	NA	NA	NA

* For installation/wiring, refer to page 41.

OPTIONAL ACCESSORIES

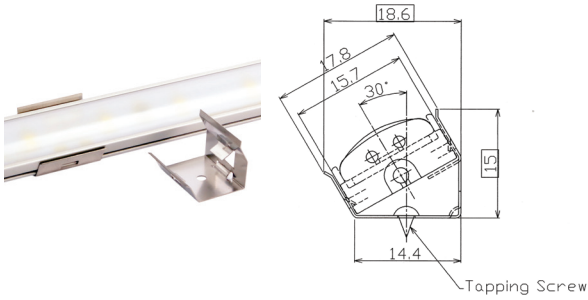
1 Metal Mounting Clip Bracket 0° Flat Type

Model: MMC-0DEG

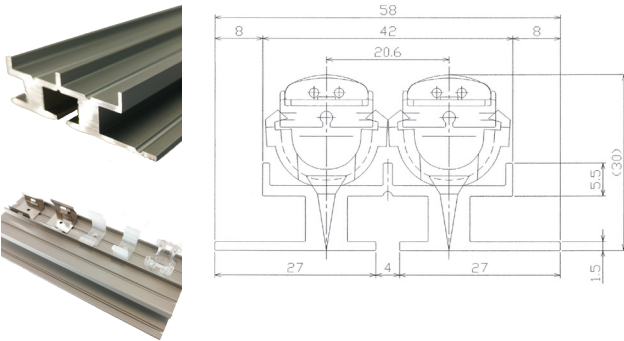


2 Metal Mounting Clip Bracket 30° Type

Model: MMC-30DEG



3 Aluminum Guide Rail



PHOTOMETRICS

Brownie Ecotronics:

V-Cove II P23, 3000K, L974mm, 13.7W

Product Code: VCII0974-303B-P23

Luminous Flux (luminaire): 1367 lm

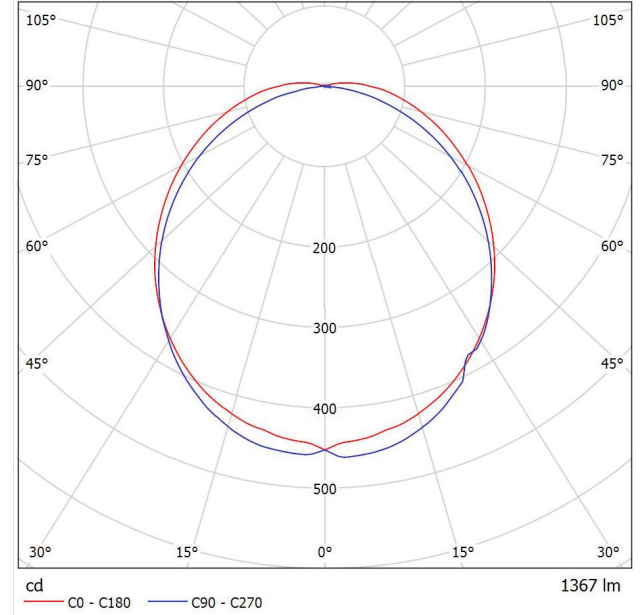
Luminous Flux (lamp): 1367 lm

Luminaire Wattage: 13.7W

Luminaire Classification according to CIE: 98

CIE Flux Code: 45 75 93 98 100

(Fitting: 1 x User defined (Correction Factor 1.000)).



Brownie Ecotronics:

V-Cove II P46 Luminous, 3000K, L974mm, 9W/meter

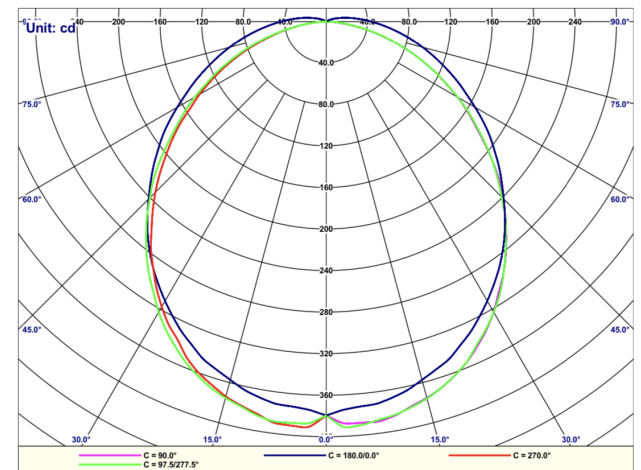
Product Code: VCII0974-303B-P46-LS

Luminous flux (Luminaire): 1116 lm

Luminous flux (Lamps): 1116 lm

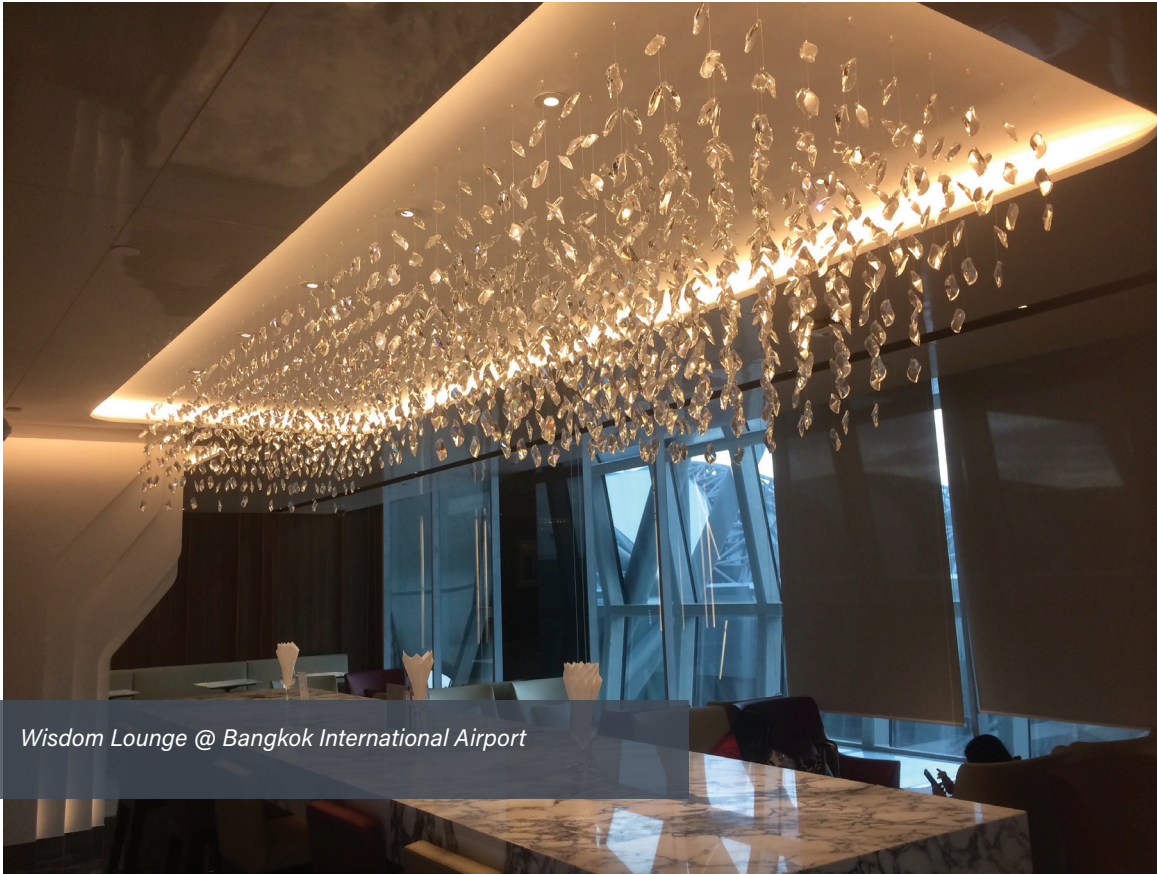
Luminaire Wattage: 9.1W

Luminaire classification according to CIE: 98

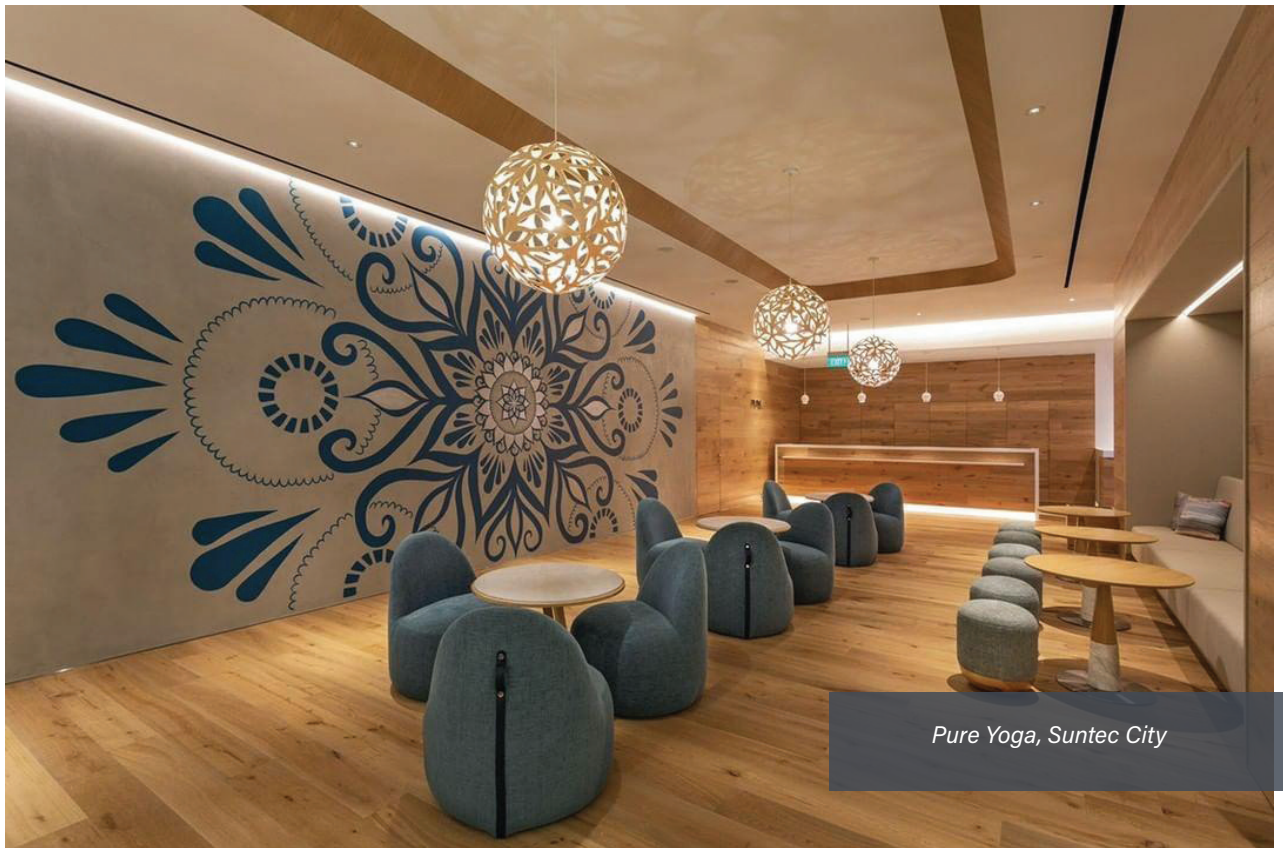


※For IES data, please contact our sales staff or distributor

PROJECT REFERENCE



Wisdom Lounge @ Bangkok International Airport



Pure Yoga, Suntec City